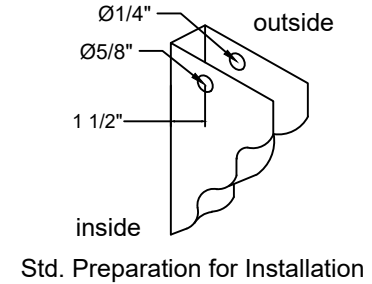
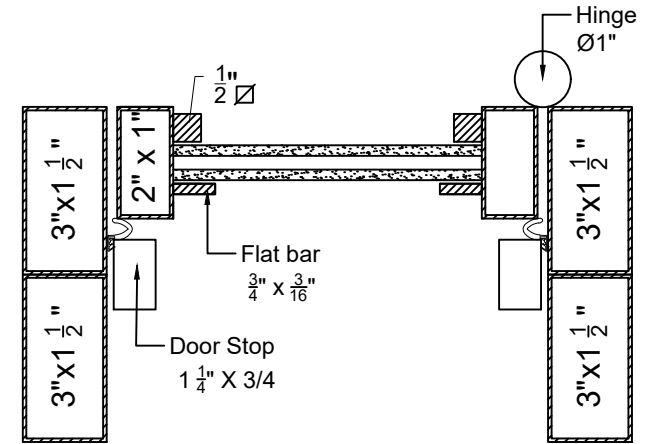
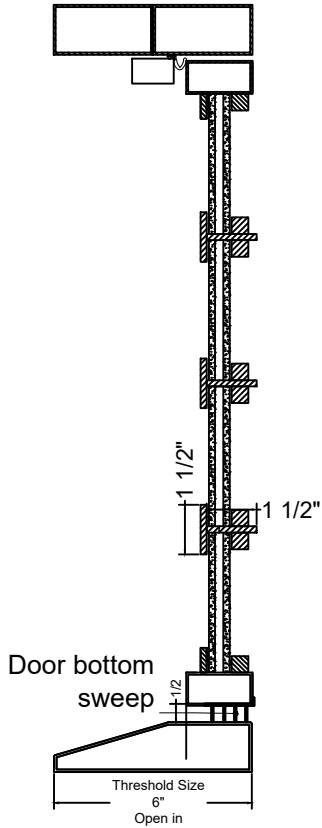
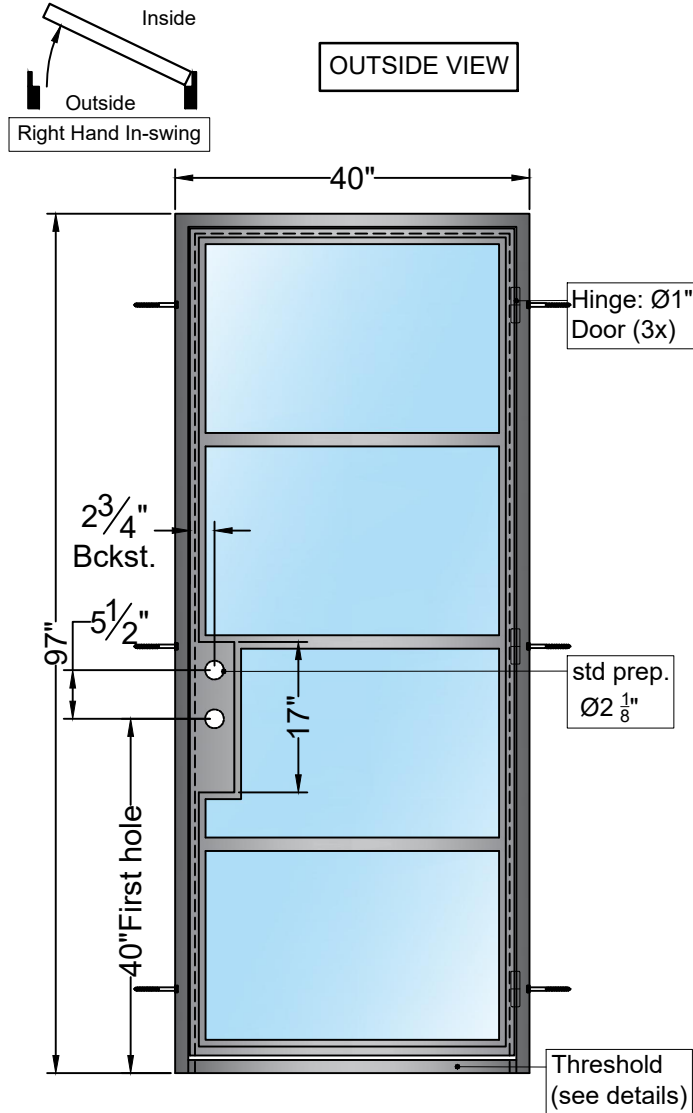


Exclusive

IRON DOORS



P.O.	RIVA 4096AS3RH
CUST.	EID
APPROVE	EID

*Size shown in PO is unit size including frame and threshold.

*Any change once signed and sent to production might result in extra charges.

Exclusive Iron Doors stands behind the quality of everything we sell and hope you are pleased with your product, if for any reason you are unsatisfied you can write to one of our representatives to verify your situation and determine how we can help you, but we do not accept returns in any of our products. Products are final and are not eligible for returns, changes or alterations. By signing you agree to our terms and conditions, delivery pdf and forms of payment. *Doors measurements do not include the gaps between jambs.

PRODUCT: <input checked="" type="checkbox"/> Door <input type="checkbox"/> Gate <input type="checkbox"/> Window <input type="checkbox"/> Railing <input type="checkbox"/> Other --	HANDLE: <input type="checkbox"/> Iron handle: -- <input type="checkbox"/> Panic hardware <input type="checkbox"/> American standard double boring <input type="checkbox"/> Other <input checked="" type="checkbox"/> Dark ORB <input type="checkbox"/> Medium ORB <input type="checkbox"/> Heavy ORB <input type="checkbox"/> Pewter <input type="checkbox"/> Antique gold <input type="checkbox"/> Cerakote <input type="checkbox"/> Custom	DOOR/ GLASS TYPE: Frost Aquatex Rain Flemish <input checked="" type="checkbox"/> Clear Other <input type="checkbox"/> Operable or <input checked="" type="checkbox"/> Fixed <input type="checkbox"/> Hurricane film <input type="checkbox"/> Screen	*Notes: <p style="color: red;">-Glass thickness: 5/8"</p>
DESIGN: <input type="checkbox"/> Wrought Iron Name: -- or <input checked="" type="checkbox"/> Riva 2"X1" #Lites 4	COLOR: <input type="checkbox"/> Cerakote <input type="checkbox"/> Custom	TRANSOM: Glass type: -- SIDELIGHTS: Glass type: -- <input type="checkbox"/> Operable <input type="checkbox"/> Fixed	
ACTIVE DOOR: <input checked="" type="checkbox"/> Right <input type="checkbox"/> Left <input checked="" type="checkbox"/> In <input type="checkbox"/> Out JAMB: 6" THRESHOLD: 6"	THRESHOLD: <input checked="" type="checkbox"/> Residential <input type="checkbox"/> Commercial <input type="checkbox"/> N/A	TRIM: <input type="checkbox"/> Inside -- <input type="checkbox"/> Outside -- <input checked="" type="checkbox"/> N/A PACKAGE: <input checked="" type="checkbox"/> Box <input type="checkbox"/> No box <input type="checkbox"/> Install <input type="checkbox"/> Delivery <input checked="" type="checkbox"/> LTL	
THRESHOLD: <input checked="" type="checkbox"/> Residential <input type="checkbox"/> Commercial <input type="checkbox"/> N/A	PIECES: 2 REV: 01 DRAWN: ZA DATE: 12/09/22		

CUSTOMERS APPROVAL