

THE TRUE ART
OF IRON





INNOVATING SPACES SINCE 1991

For over 25 years, Exclusive Iron Doors has provided superior service to families and communities, progressing as new technologies have emerged and evolved every year. We specialize in handcrafted wrought iron doors, steel doors and windows. All of our products are custom made, manufactured to work with the architectural style of your home. Our iron doors are some of the highest quality, most elegant, and secure you'll find in the industry.

FAMILY OWNED

Exclusive Iron Doors LLC is a family owned business passionate to offer top-of-the-line custom products that will bring instant luxury and security to all homes and commercial buildings.

FROM HUMAN TO HUMAN

As factory owners we work with our team to ensure each custom handcrafted piece can come together to bring the art and functionality that will activate the emotional connection to inspire the full potential of each home.



OUR VOW

To transform your spaces into unique masterpieces.

BEYOND YOUR GRAND ENTRANCE

We took inspiration from the thrill of walking into a place, and finding all eyes focused on you.

We want to make you feel the beauty of that moment, commanding the room with a custom-made masterpiece, handcrafted with the utmost care and with high-quality iron. But we're motivated to go beyond that, delivering an exceptional service through every step of the process, and supporting the talent of our crafters with technology in order to build something meaningful.

We know the proper entrance can set the right path to a home, and that each home is unique, as it expresses the spirit and joy of the people who live within. This is why we focus on understanding your needs, and creating your very own grand entrance.

WROUGHT IRON DOORS



- Heavy duty 14 gauge steel
- Filled up with polyurethane for energy saving
- Double pane E glass, tempered and sealed to avoid conditioning leaks
- Included weatherstrippings to reduce air infiltration
- Operable glass panels that can be opened independently from the doors
- Thresholds made to prevent water infiltration
- Barrel hinges which are perfect for heavy use and can be greased for a better use
- Double doors include a pre-insulated flush bolt system to lock the dormant door or unlock it for a complete opening space
- We can make any design hurricane resistant

Choose from our gallery, stock doors or ask for a custom project

We can do any design with any form, single, double, with sidelights, taransom, round, eyebrow, square or custom

- NICOLE -



- ZABALA -



- ROXANE -



- ADELENE -



- CAMILLE -



- BELL -



- JULIETTE -



- BREWSTER -



- BASEVIEW -



- CANYON -



- DESERT -



- EASTRIDGE -



We can do any design with any form, single, double, with sidelights, taransom, round, eyebrow, square or custom

We can do any design with any form, single, double, with sidelights, taransom, round, eyebrow, square or custom

- DALILA -



- GISELLE -



- MANGOLD -



- PAULINE -



- ELEANOR -



- RAMADA -



- TARPEY -



- LINTON -



- BANKS -



- FALCON -



- FOREST -



- GRIFFIN -



- HOWARD -



- JOAN -



- LUCKEY -



- OWEN -



- AGATHA -



- MARCIA -



We can do any design with any form, single, double, with sidelights, taransom, round, eyebrow, square or custom

RIVA STEEL DOORS AND WINDOWS



- Heavy duty 14 gauge steel
- Filled up with polyurethane for energy saving
- Double pane E glass, tempered and sealed to avoid conditioning leaks
- Included weatherstrippings to reduce air infiltration
- Thresholds made to prevent water infiltration
- Barrel hinges which are perfect for heavy use and can be greased for a better use
- Double doors include a pre-insulated flush bolt system to lock the dormant door or unlock it for a complete opening space
- We can make any design hurricane resistant

Choose from our gallery, stock doors or ask for a custom project

We can do any design with any form, single, double, with sidelights, taransom, round, eyebrow, square or custom



RIVA

STEEL WINDOWS AND DOORS



P.O.:
CUST.:
APPROVE: DIANA
REVISION 1.1

Once PO format is sent to manufacture charges may apply if any changes are made on door specs. Size shown in PO is unit including frame and threshold.

OUTSIDE VIEW

T-ASTRAGAL

96"

72"

Right Hand In-swing

Jamb size

DOOR: 2"X1"

JAMB: 6"

Notes:

8 GLASS PIECES

Exclusive Iron Doors stands behind the quality of everything we sell and hop eyou are pleased with your product, if for any reason you are unsatisfied you can write to one of our representatives to verify your situation and determinate how can we help you, but we do not accept returns in any of our products. Products are final and are not eligible for returns, changes or alterations. By signing you agree to our terms and conditions, delivery pdf and forms of payment.

<input checked="" type="checkbox"/> Iron Handle: MODERN Handle: <input checked="" type="checkbox"/> Deadbolt prep and roller catch <input type="checkbox"/> Other: _____		Glass-door: CLEAR <input type="checkbox"/> Operable <input checked="" type="checkbox"/> Fixed Glass-transom: _____ Glass-sidelight: _____	
Color: <input type="checkbox"/> A.Copper <input type="checkbox"/> A.Bronze <input type="checkbox"/> Pewter <input checked="" type="checkbox"/> Black		Template: <input type="checkbox"/> Sent: _____ <input checked="" type="checkbox"/> N/A	
Active door: <input checked="" type="checkbox"/> Right <input type="checkbox"/> Left Swing: <input checked="" type="checkbox"/> In <input type="checkbox"/> Out		Package: <input type="checkbox"/> Box <input type="checkbox"/> No Box <input type="checkbox"/> Install	
*TBD (To be decide) if order has a TBD may cause delays on production. *Doors measurements do not include the gaps between jambs			
Type: <input checked="" type="checkbox"/> Residential <input type="checkbox"/> Commercial _____		Threshold: 1 1/2" to 1/2" Treshold, 3/16" Undercut GAUGE: 14	

CUSTOMERS APPROVAL _____

STANDARD 2X1

Exclusive

IRON DOORS

RIVA

STEEL WINDOWS AND DOORS



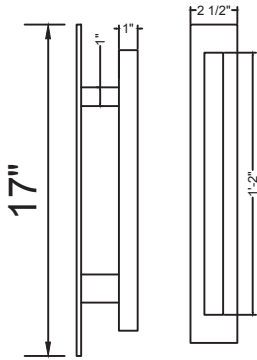
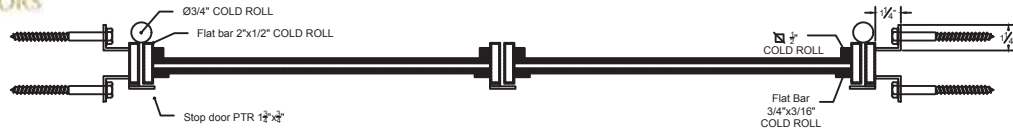
Exclusive
IRON DOORS

1 st Set

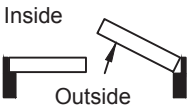
DRAWN: VR

P.O.
CUST.
APPROVE

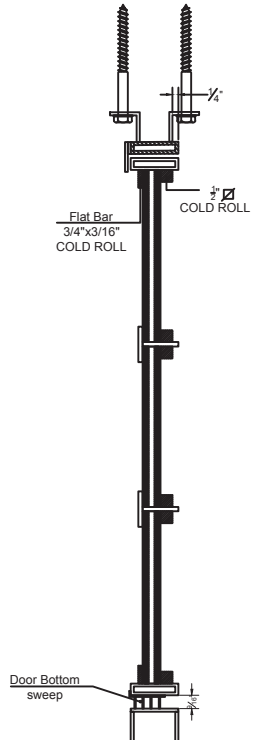
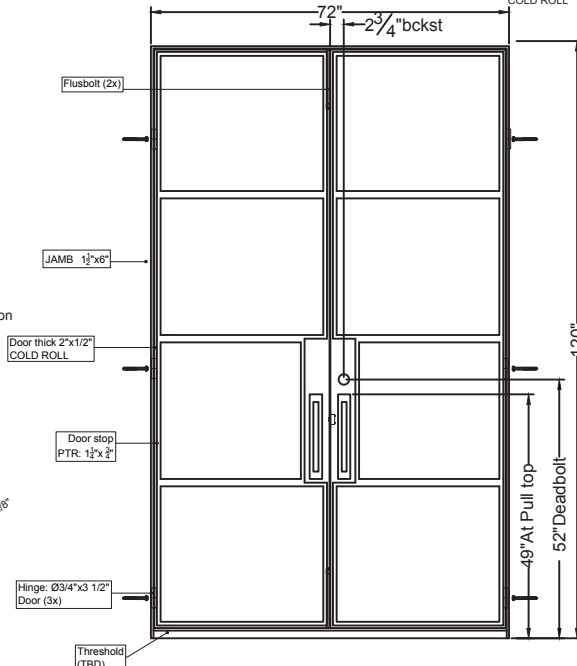
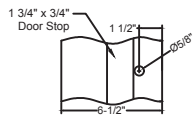
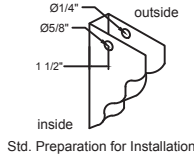
OUTSIDE VIEW



Modern



Right Hand In-swing



*Size shown in PO is unit size including frame and threshold.

*Any change once signed and sent to production might result in extra charges.

Exclusive Iron Doors stands behind the quality of everything we sell and hope you are pleased with your product, if for any reason you are unsatisfied you can write to one of our representatives to verify your situation and determine how can we help you, but we do not accept returns in any of our products. Products are final and are not eligible for returns, changes or alterations. By signing you agree to our terms and conditions, delivery pdf and forms of payment. *Doors measurements do not include the gaps between jambs

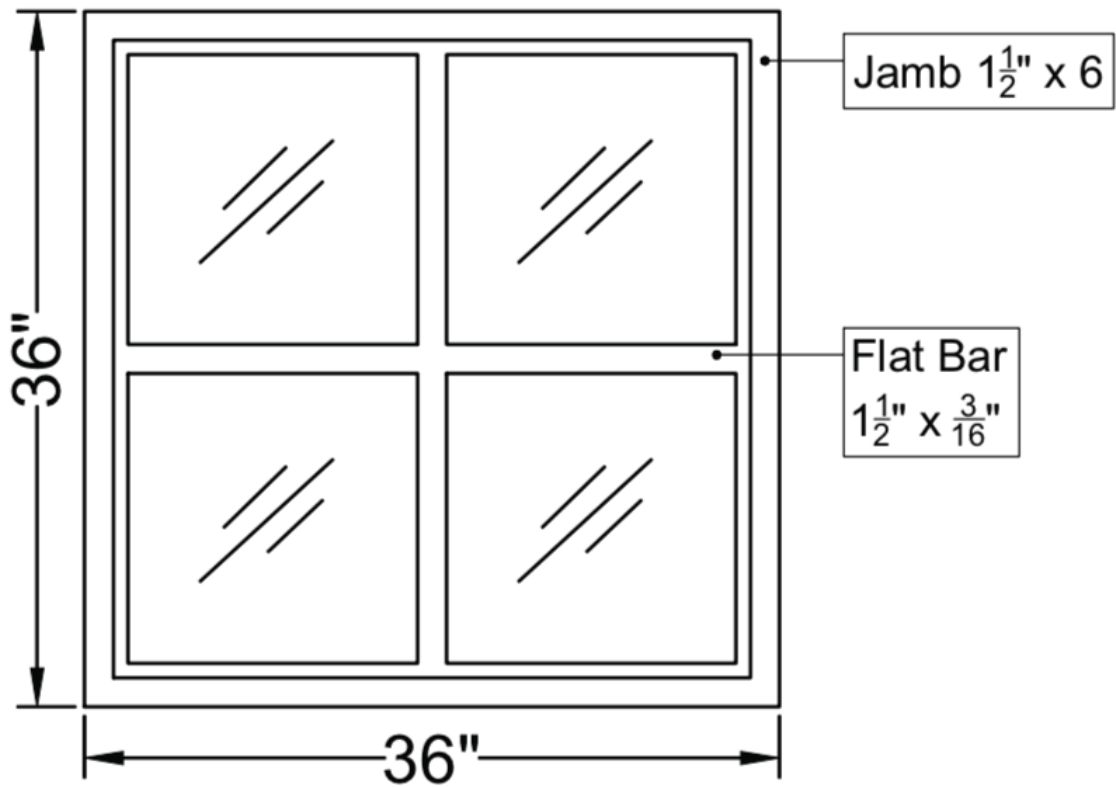
PRODUCT: <input checked="" type="checkbox"/> Door <input type="checkbox"/> Gate <input type="checkbox"/> Window <input type="checkbox"/> Railing <input type="checkbox"/> Other _____	HANDLE: <input checked="" type="checkbox"/> Iron handle: <u>MODERN</u> (with roller catch and deadbolt prep) <input type="checkbox"/> American standard double boring <input type="checkbox"/> Other: _____ <input type="checkbox"/> Panic hardware <input type="checkbox"/> Autocloser # _____ <input type="checkbox"/> P. Bar # _____	DOOR/Glass type: Frost Aquatex Rain Flemish <input checked="" type="checkbox"/> Clear N/A <input type="checkbox"/> Hurricane rated <input type="checkbox"/> Operable <input type="checkbox"/> Screen or <input checked="" type="checkbox"/> Fixed	*Notes: -Glass: 5/8" Clear -Color: Black -COLD ROLL
DESIGN: <input type="checkbox"/> Wrought Iron Name: _____ or _____ <input checked="" type="checkbox"/> Riva 4 # Lites _____	COLOR: A. copper A. bronze Pewter <input checked="" type="checkbox"/> Black See notes*	TRANSOM: Glass type: _____ SIDE LIGHTS: Glass type: _____ <input type="checkbox"/> Screen	
ACTIVE DOOR: <input checked="" type="checkbox"/> Right <input type="checkbox"/> Left SWING: <input checked="" type="checkbox"/> In <input type="checkbox"/> Out	JAMB: 6-1/2"	TRIM: <input type="checkbox"/> Inside _____ <input type="checkbox"/> Outside _____ <input checked="" type="checkbox"/> N/A	
<input checked="" type="checkbox"/> Standard (1 1/2") <input type="checkbox"/> Slim (1 1/4") <input type="checkbox"/> Super Slim (1/2") SDL	THRESHOLD: <input type="checkbox"/> Residential <input type="checkbox"/> Commercial _____ <input type="checkbox"/> N/A _____	PACKAGE: <input type="checkbox"/> Box <input checked="" type="checkbox"/> No box <input checked="" type="checkbox"/> Install <input type="checkbox"/> Delivery <input type="checkbox"/> LTL	
		GLASS TEMPLATE: <input type="checkbox"/> Sent #Pieces _____ <input type="checkbox"/> N/A GAUGE: 14	

RIVA SLIM -COLD ROLLED





INSTALL
TROUGH NF

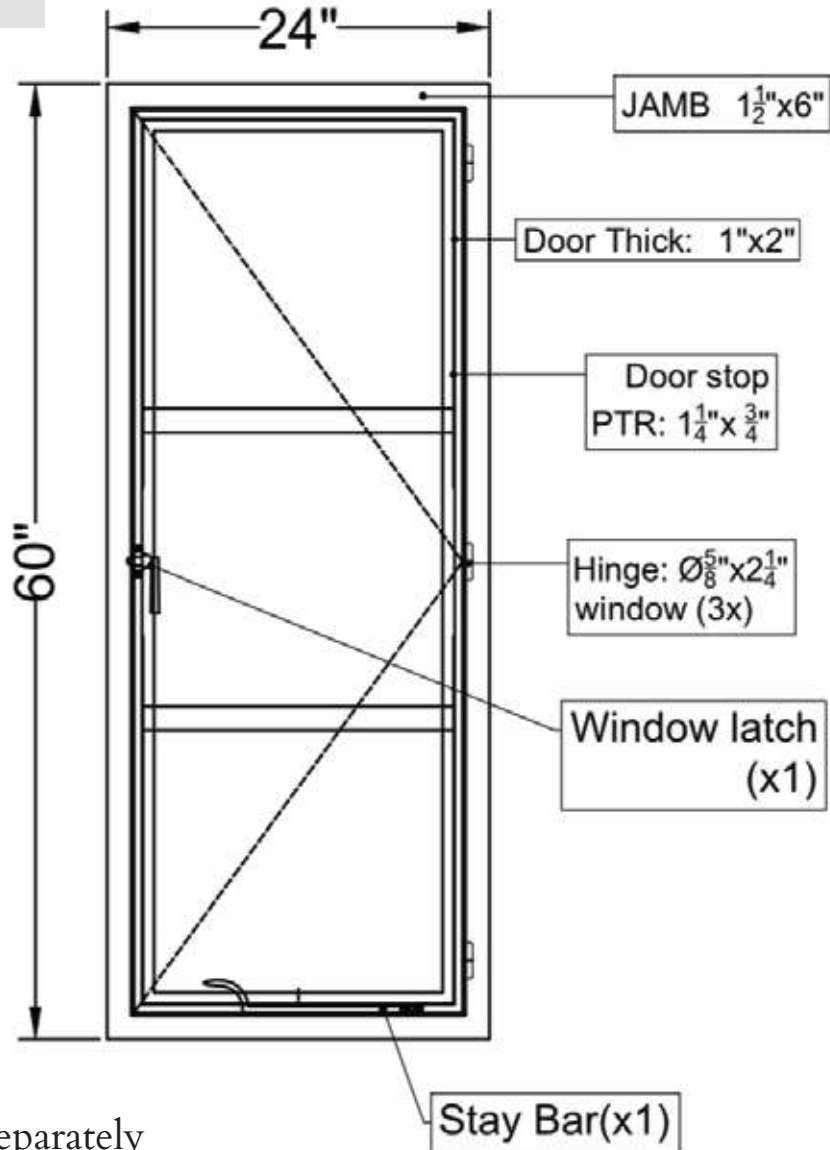


MULLIONS CAN BE MANUFACTURED WITH OUR RIVA STANDARD SPECS OR WITH COLD ROLLED STEEL FOR SLIM

FIXED WINDOW



INSTALL
TROUGH NF

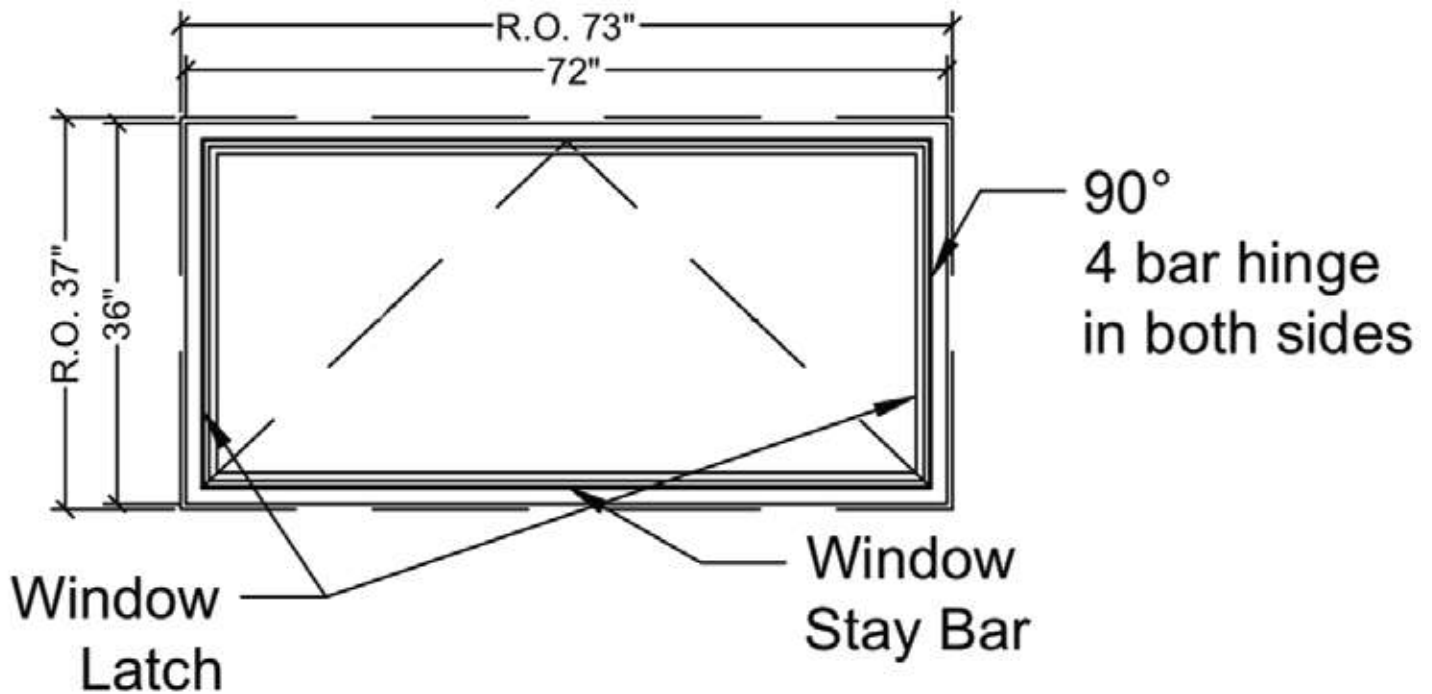


*Hardware sold separately

MUILLONS CAN BE MANUFACTURED WITH OUR RIVA STANDARD SPECS OR WITH COLD ROLLED STEEL FOR SLIM



INSTALL
TROUGH NF



*Hardware sold separately

MUILLONS CAN BE MANUFACTURED WITH OUR RIVA STANDARD SPECS OR WITH COLD ROLLED STEEL FOR SLIM

RIVA SLIM -COLD ROLLED

Exclusive
IRON  DOORS

- RIVA 2x1DOUBLE -



- RIVA SLIM -



- RIVA 2X1 SINGLE -



- RIVA SUPER SLIM -



- RIVA SLIM W.S. -



- RIVA 2X1 W.S. -



- RIVA SLIM W.S. -



- RIVA 2X1 W.S. -



- RIVA SLIM FIXED -



We can do any design with any form, single, double, with sidelights, taransom, round, eyebrow, square or custom

Design the Riva unit your way for your front door, interior like office or closer or adjust any unit for commercial use.

LASER CUT



With our new laser technology and our passion both in the process of creating something that's never been seen before, and in the result itself, possibilities are endless!

Our philosophy focuses on innovation and quality, and places trust in the creative process above everything else in order for you to design something authentic that will empower every space.

Laser options can go from something as unique and simple as a letter addition or to represent the full design of your unit.

Choose from our gallery, stock doors or ask for a custom project

We can do any design with any form, single, double, with sidelights, transoms, round, eyebrow, square or custom

- SUNSET -



- PALM TREE -



- GRILL -



PIVOT DOORS



We strive for highest quality and innovation and therefore we team up with companies that will match our goals.

For pivot units we use FritsJurgens pivot systems to continuously increase and facilitate the endless design possibilities that pivot doors offer while also enabling unparalleled door movement for every type of pivot door.

Form and function are seamlessly connected.

You can choose between

PIVOT SYSTEM ONE

PIVOT SYSTEM M

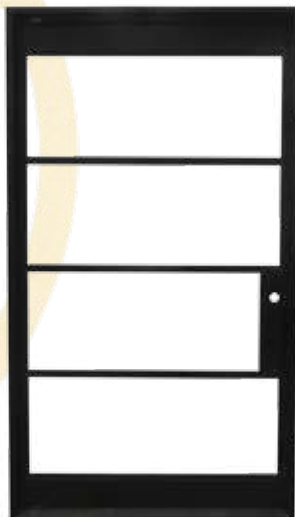
Choose from our gallery, stock doors or ask for a custom project

We can do any design with any form, single, double, with sidelights, transoms, round, eyebrow, square or custom

- ROBINSON -



- RIVA PIVOT 4 LITE -



- CUSTOM ART -



DEADBOLT, PREP. AND HANDLE OPTIONS

DEADBOLT DESCRIPTION Emttek single cylinder-Venetian Bronze / Black



NOTES Form choice square or round may vary depending on availability.

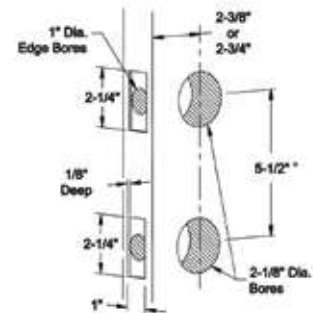


DEADBOLT DESCRIPTION Emttek Keypad Venetian Bronze / Black



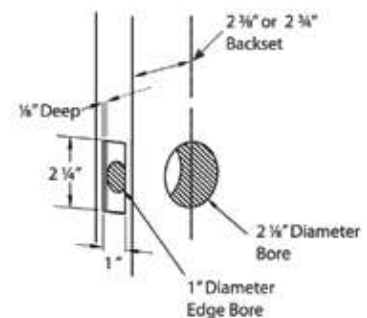
PREPARATION DESCRIPTION American standard double boring

NOTES Thumb latch hardware options are available just ask your sales representative for options and pricing



PREPARATION DESCRIPTION Standard single cylinder boring preparation

IRON HANDLE OPTIONS If any other handle design is selected charges may apply



*For pricing ask your sales representative.

COLOR OPTIONS

All of our paint options are hand finished and made by the highest quality process for durable and impressive color. Metallic finishes can vary depending on light.

BLACK



ANTIQUe GOLD



OIL RUBBED BRONZE



PEWTER



YOU CAN ALSO CHOOSE
DARK ORB OR HEAVY ORB

Ask for our custom color options (extra charges may apply).

GLASS OPTIONS

All iron doors come with tempered glass, maximizing impact resistance and energy efficiency. We offer a range of glass panel options to suit your needs.

FROST



AQUATEX



FLEMISH



RAIN



LOW E



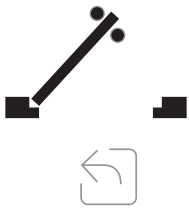
CLEAR



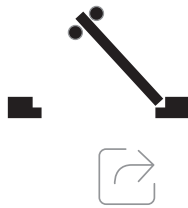
*For pricing and custom options ask your sales representative.

CONFIGURATION OPTIONS

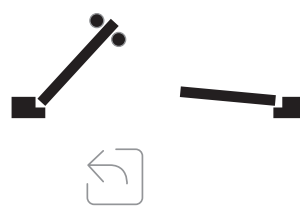
Determine the swing for your Exclusive Iron Door with the following air view icons.



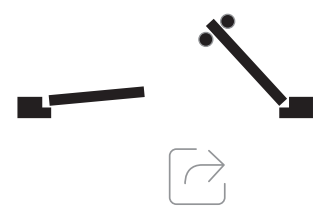
**LEFT HAND
IN SWING**



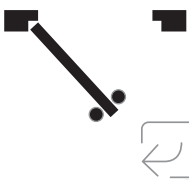
**RIGHT HAND
IN SWING**



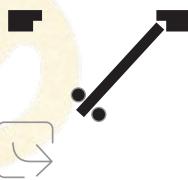
**LEFT HAND
IN SWING DOUBLE**



**RIGHT HAND
IN SWING DOUBLE**



**LEFT HAND
IN SWING**



**RIGHT HAND
IN SWING**



**LEFT HAND
IN SWING DOUBLE**



**RIGHT HAND
IN SWING DOUBLE**

JAMB OPTIONS

Choose from the available jamb size options, STANDARD options have no additional cost and CUSTOM options would be an upcharge depending on the choice for pricing :

4"

STANDARD

7"

CUSTOM

4 1/2"

STANDARD

8"

CUSTOM

6"

STANDARD

9"

CUSTOM

6 1/2"

STANDARD

10"

CUSTOM

12"

CUSTOM



SINCE

1991

WWW.EXCLUSIVEIRONDOORS.COM