

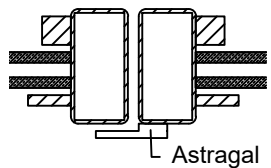
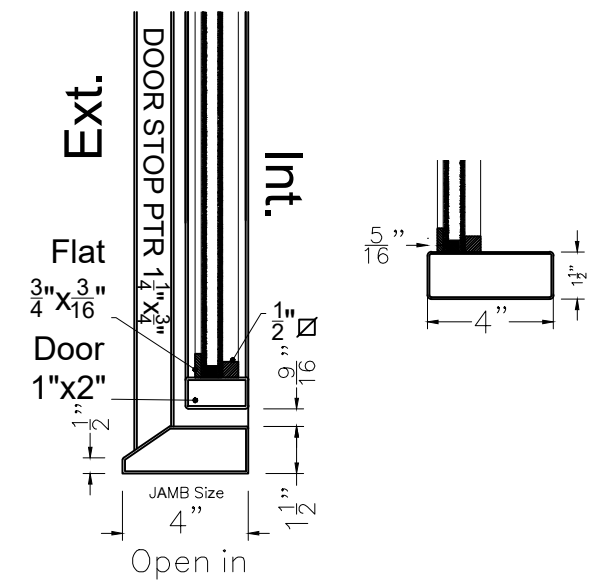
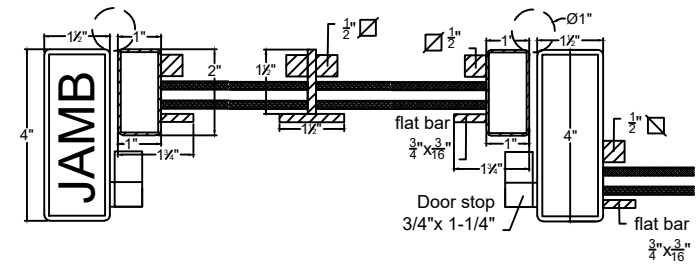
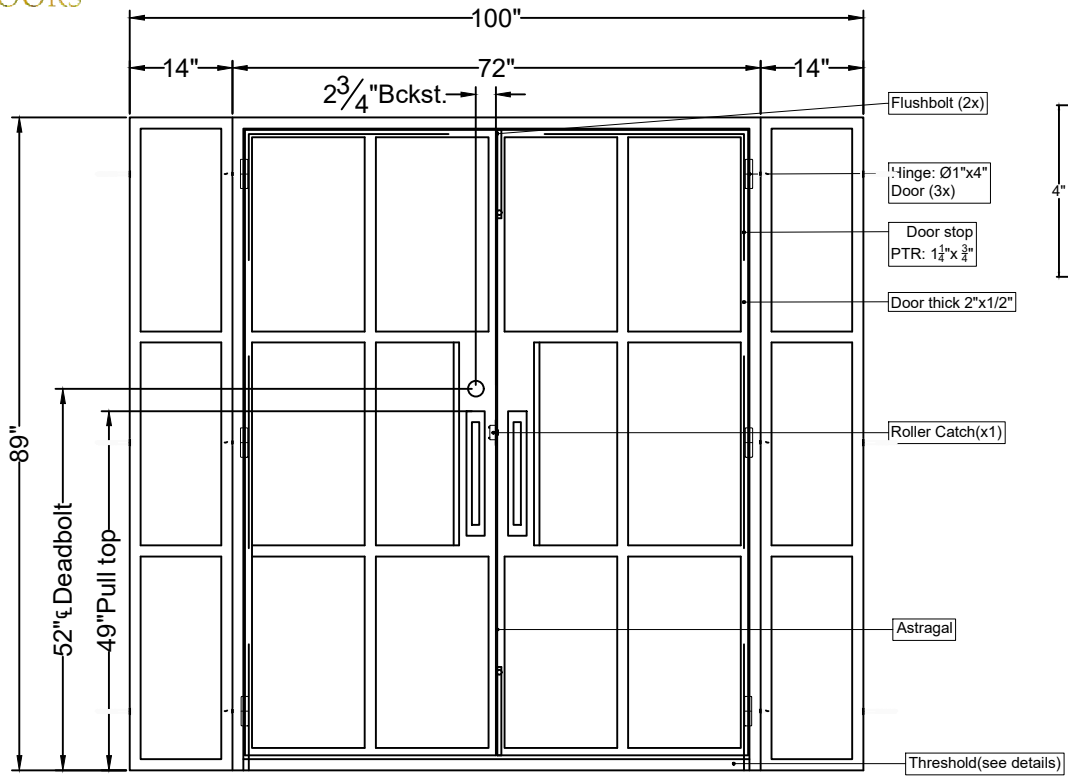
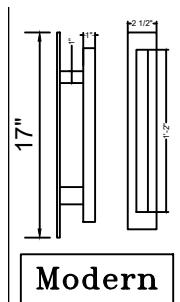
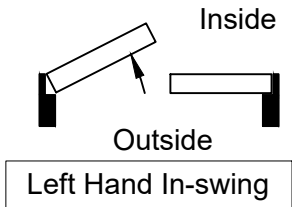
Exclusive

IRON DOORS

1 st Set

DRAWN: MR

P.O.	AGKK120220-B
CUST.	Kevin Knox
APPROVE	---



*Size shown in PO is unit size including frame and threshold.

*Any change once signed and sent to production might result in extra charges.

Exclusive Iron Doors stands behind the quality of everything we sell and hope you are pleased with your product, if for any reason you are unsatisfied you can write to one of our representatives to verify your situation and determine how can we help you, but we do not accept returns in any of our products.

Products are final and are not eligible for returns, changes or alterations.

By signing you agree to our terms and conditions, delivery pdf and forms of payment.

*Doors measurements do not include the gaps between jambs

PRODUCT: <input checked="" type="checkbox"/> Door <input type="checkbox"/> Gate <input type="checkbox"/> Window <input type="checkbox"/> Railing <input type="checkbox"/> Other _____	HANDLE: <input checked="" type="checkbox"/> Iron handle: <u>Modern</u> (with roller catch and deadbolt prep) <input type="checkbox"/> American standard double boring <input type="checkbox"/> Other: _____ <input type="checkbox"/> Panic hardware <input type="checkbox"/> Autocloser # _____ <input type="checkbox"/> P. Bar # _____	DOOR/Glass type: Frost Aquatex Rain Flemish <input checked="" type="checkbox"/> Clear N/A <input type="checkbox"/> Hurricane rated <input type="checkbox"/> Operable <input type="checkbox"/> Screen or <input checked="" type="checkbox"/> Fixed
DESIGN: <input type="checkbox"/> Wrought Iron Name: _____ or _____	COLOR: A. copper <input checked="" type="checkbox"/> A. bronze <input type="checkbox"/> Pewter <input checked="" type="checkbox"/> Black <input type="checkbox"/> See notes*	TRANSOM: Glass type: _____ SIDELIGHTS: Glass type: _____ <input type="checkbox"/> Screen
<input checked="" type="checkbox"/> Riva Double door w/ #Lites 6 sidelite <input checked="" type="checkbox"/> Standard (1 1/2") <input type="checkbox"/> Slim (1 1/4") <input type="checkbox"/> Super Slim (1/2") SDL	ACTIVE DOOR: <input type="checkbox"/> Right <input checked="" type="checkbox"/> Left SWING: <input checked="" type="checkbox"/> In <input type="checkbox"/> Out	TRIM: <input type="checkbox"/> Inside _____ <input type="checkbox"/> Outside _____ <input checked="" type="checkbox"/> N/A
JAMB: 4"	THRESHOLD: <input checked="" type="checkbox"/> Residential <input type="checkbox"/> Commercial _____ <input type="checkbox"/> N/A _____	PACKAGE: <input checked="" type="checkbox"/> Box <input type="checkbox"/> No box <input type="checkbox"/> Install <input type="checkbox"/> Delivery <input checked="" type="checkbox"/> LTL GLASS TEMPLATE: <input type="checkbox"/> Sent <input type="checkbox"/> #Pieces _____ <input type="checkbox"/> N/A GAUGE: 14

*Notes:
 Glass: 5/8", Clear
 Color: A. bronze

CUSTOMERS APPROVAL