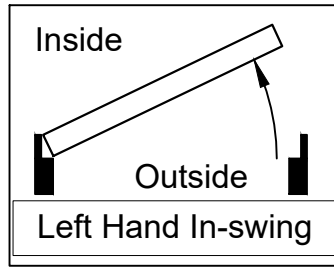


Exclusive

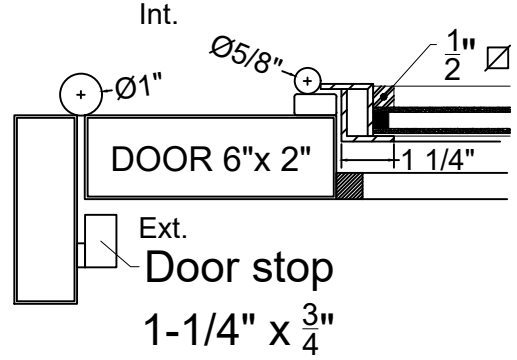
IRON DOORS

DRAWN: MR

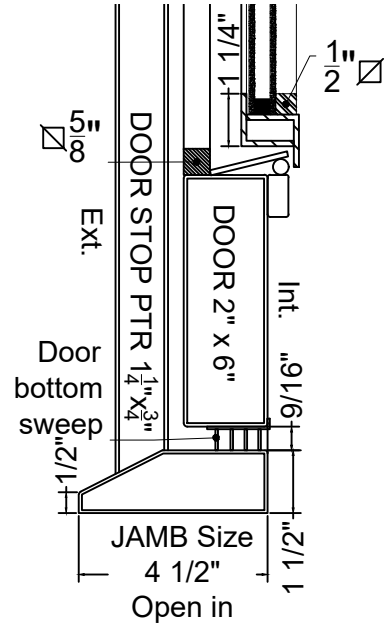
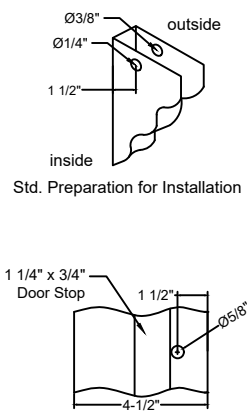
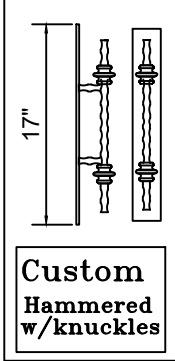
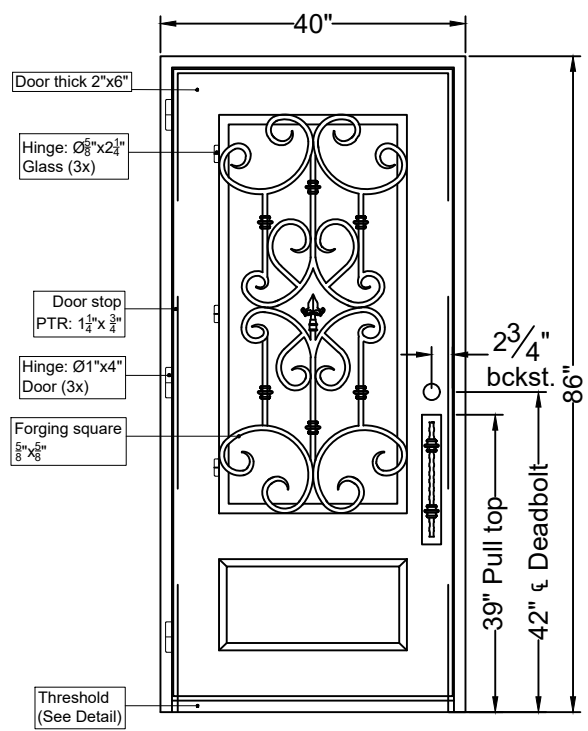
1st Set



P.O.	AGTR082420
CUST.	Terrance Gride
APPROVE	---



OUTSIDE VIEW



*Notes:

*Size shown in PO is unit size including frame and threshold.

*Any change once signed and sent to production might result in extra charges.

Exclusive Iron Doors stands behind the quality of everything we sell and hope you are pleased with your product, if for any reason you are unsatisfied you can write to one of our representatives to verify your situation and determine how can we help you, but we do not accept returns in any of our products.

Products are final and are not eligible for returns, changes or alterations. By signing you agree to our terms and conditions, delivery pdf and forms of payment. *Doors measurements do not include the gaps between jambs

CUSTOMERS APPROVAL

PRODUCT: <input checked="" type="checkbox"/> Door <input type="checkbox"/> Gate <input type="checkbox"/> Window <input type="checkbox"/> Railing <input type="checkbox"/> Other _____	HANDLE: <input checked="" type="checkbox"/> Iron handle: Hammer w/ Rings (with roller catch and deadbolt prep) <input type="checkbox"/> American standard double boring <input type="checkbox"/> Other: _____	<input type="checkbox"/> Panic hardware <input type="checkbox"/> Autocloser # _____ <input type="checkbox"/> P. Bar # _____	DOOR Glass type: <input type="checkbox"/> Frost <input type="checkbox"/> Aquatex <input checked="" type="checkbox"/> Rain <input type="checkbox"/> Flemish <input type="checkbox"/> Clear <input type="checkbox"/> N/A <input type="checkbox"/> Hurricane rated <input checked="" type="checkbox"/> Operable <input type="checkbox"/> Screen or <input type="checkbox"/> Fixed
DESIGN: <input checked="" type="checkbox"/> Wrought Iron Name: <u>Custom</u>	COLOR: <input type="checkbox"/> A. copper <input type="checkbox"/> A. bronze <input type="checkbox"/> Pewter <input checked="" type="checkbox"/> Black <input type="checkbox"/> See notes*	ACTIVE DOOR: <input type="checkbox"/> Right <input checked="" type="checkbox"/> Left SWING: <input checked="" type="checkbox"/> In <input type="checkbox"/> Out	TRANSOM Glass type: _____
<input type="checkbox"/> Riva _____ #Lites _____	JAMB: <u>4-1/2"</u>	PACKAGE: <input checked="" type="checkbox"/> Box <input type="checkbox"/> No box <input type="checkbox"/> Install <input type="checkbox"/> Delivery <input checked="" type="checkbox"/> LTL	SIDELIGHTS Glass type: _____ <input type="checkbox"/> Screen
<input type="checkbox"/> Standard (1 1/2") <input type="checkbox"/> Slim (1 1/4") <input type="checkbox"/> Super Slim (1/2") SDL	THRESHOLD: <input checked="" type="checkbox"/> Residential <input type="checkbox"/> Commercial _____ <input type="checkbox"/> N/A	GLASS TEMPLATE: <input type="checkbox"/> Sent #Pieces _____ <input type="checkbox"/> N/A	GAUGE: 14